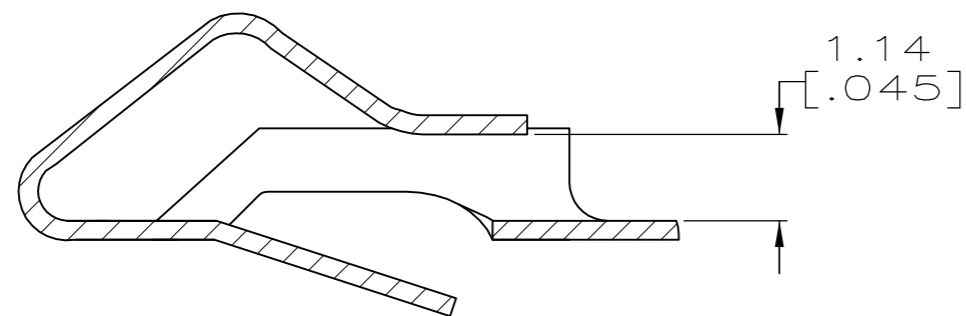
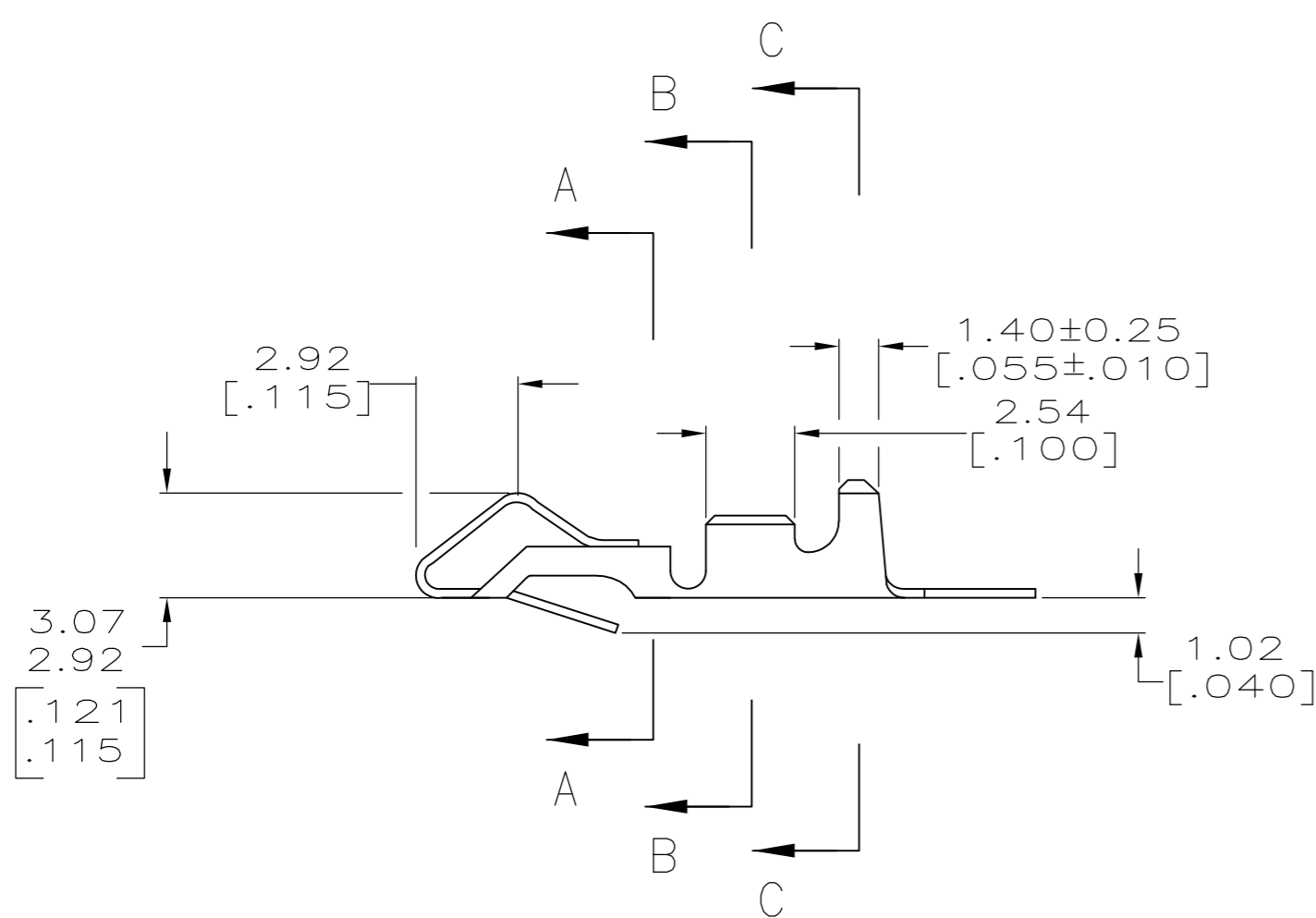
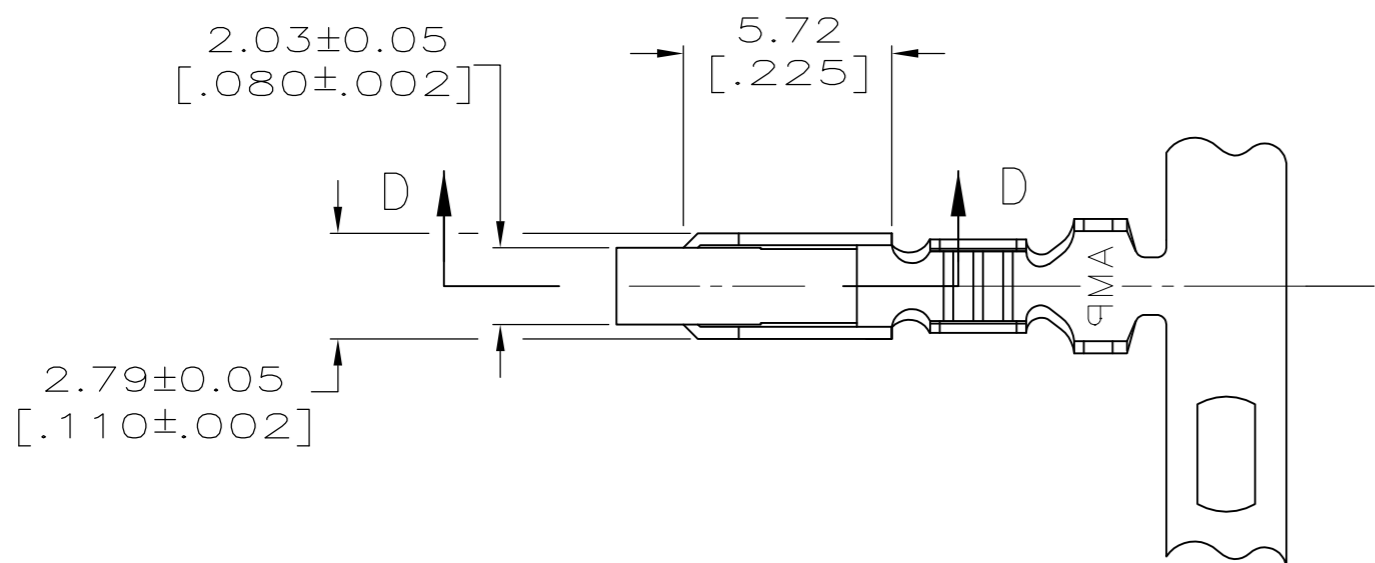


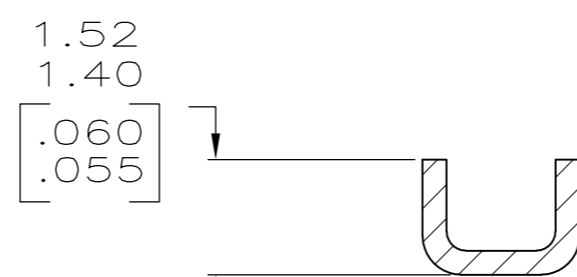
THIS DRAWING IS UNPUBLISHED. RELEASED FOR PUBLICATION  
 © COPYRIGHT - By - ALL RIGHTS RESERVED.

LOC		DIST		REVISIONS			
P	LTR	DESCRIPTION		DATE	DWN	APVD	
CM	00	W1	REVISED PER ECO-11-004820	11MAR11	RK	HMR	

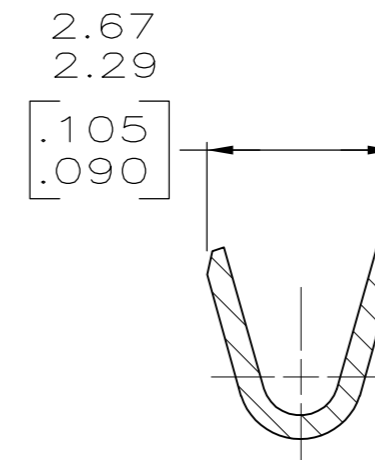
- ① 0.00203 [.000080] MIN BRIGHT TIN-LEAD OVER  
0.00127 [.000050] MIN NICKEL.
- ② 0.00330 [.000130] MAX PRE-TIN.
- ③ 0.00013 [.000005] GOLD OVER 0.00127 [.000050]  
MIN NICKEL ALL OVER AND 0.00076 [.000030] MIN  
GOLD ON CONTACT AREA.
- 4. WIRE RANGE: 0.2-0.9mm<sup>2</sup> (24-18 AWG).  
INSULATION RANGE: 2.79 [.110] DIA MAX.
- 5. DIMENSIONS IN BRACKETS ARE IN INCHES.
- ⑥ 0.00203 [.000080] MIN BRIGHT TIN OVER  
0.00127 [.000050] MIN NICKEL.



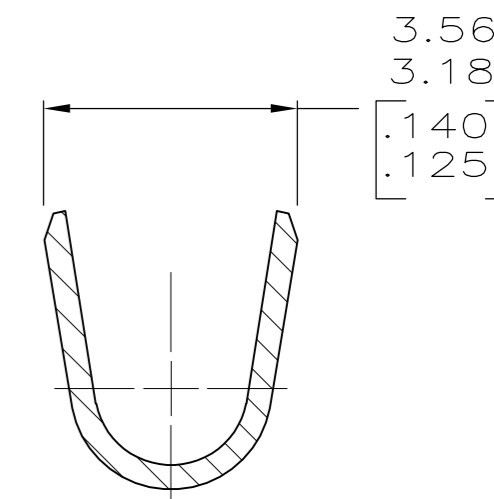
SECTION D-D  
SCALE 10:1



SECTION A-A  
SCALE 10:1



SECTION B-B  
SCALE 10:1



SECTION C-C  
SCALE 10:1

MINI	SEE 3-640706-1	⑥	3-640252-1
MINI	SEE 640706-2	②	640252-2
MINI	SEE 640706-1	①	640252-1
APPLICATOR	LOOSE PIECE	FINISH	PART NO

**METRIC**

THIS DRAWING IS A CONTROLLED DOCUMENT.		DWN S. CARPENTER 21AUG2003	TE Connectivity	
DIMENSIONS: INCHES	TOLERANCES UNLESS OTHERWISE SPECIFIED:	CHK J. ELLIS 21AUG2003	NAME RECEPTACLE, SL-156	
	0 PLC ±	APVD J. ELLIS 21AUG2003	SIZE A2	CAGE CODE 00779
	1 PLC ±	PRODUCT SPEC	DRAWING NO 640252	RESTRICTED TO -
MATERIAL 0.33 [.013] BRASS	FINISH SEE TABLE	APPLICATION SPEC	SCALE 5:1	SHEET 1 of 1
CUSTOMER DRAWING		WEIGHT	REV W1	